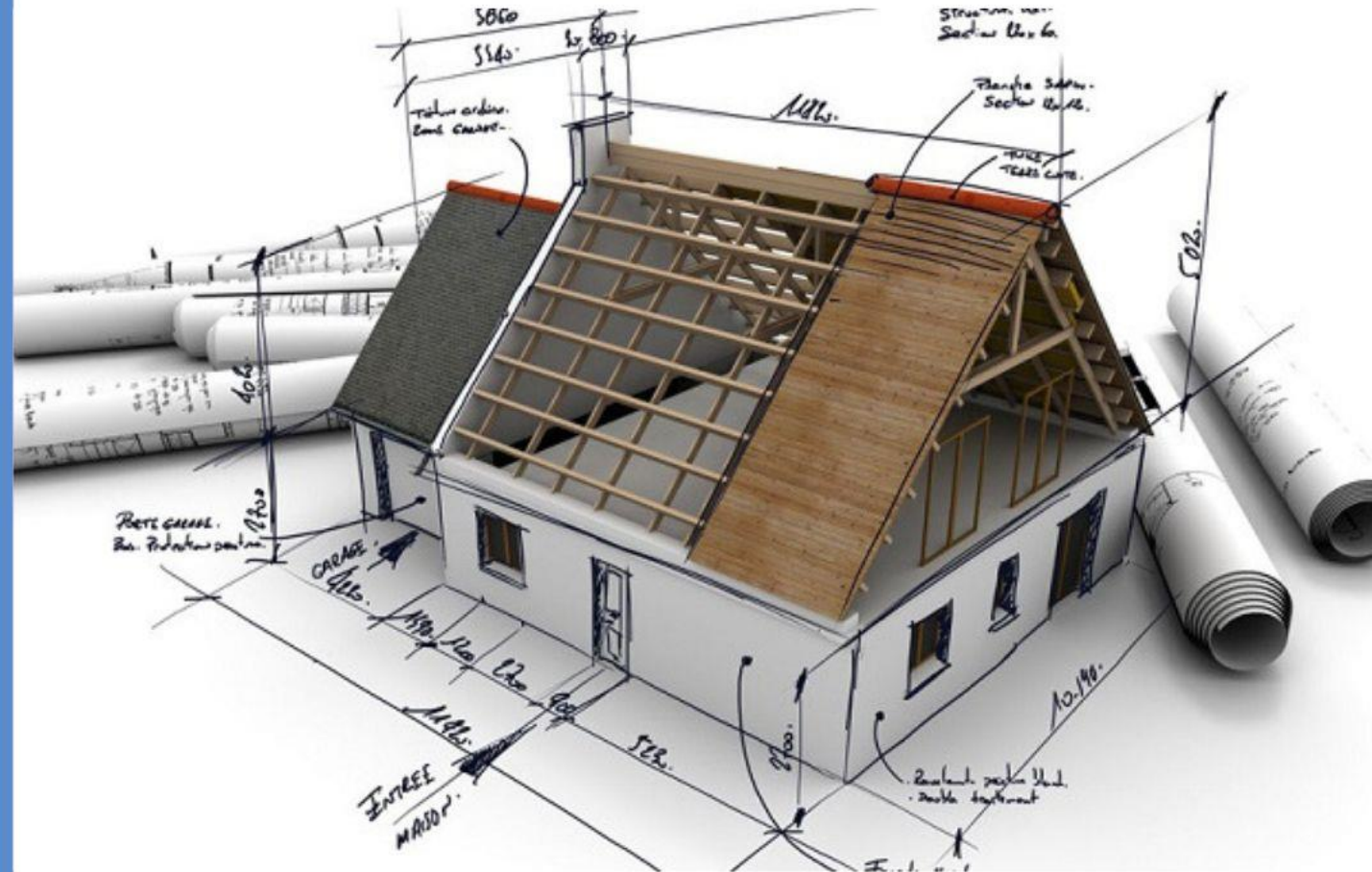
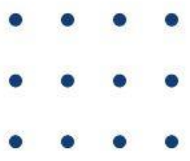


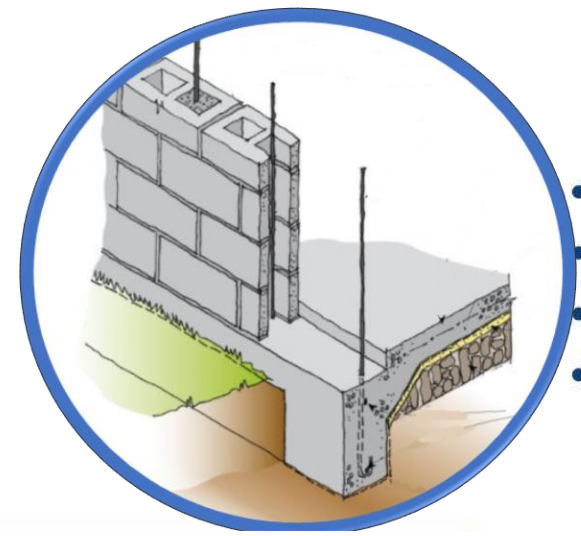
**The Constructive
Power Of The Tongue**

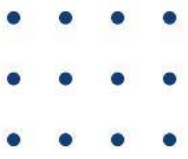
The kinds of words
of our study do not
have a cost.
Yet they accomplish
much.



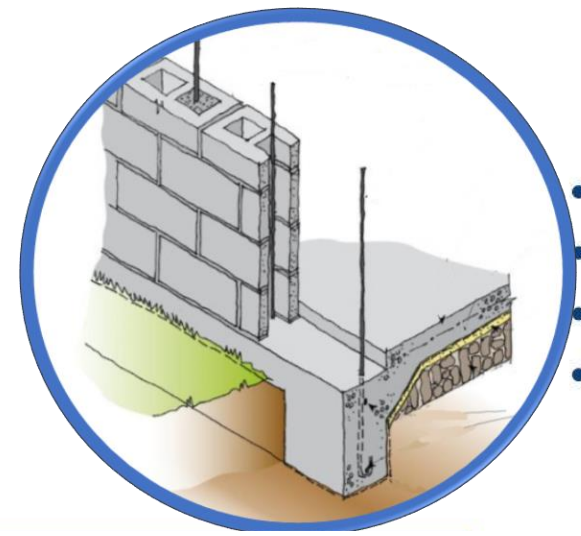


Types of words that build and fortifies any relationship:





Types of words that build and fortifies any relationship:



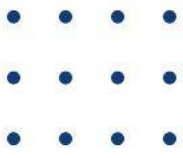
Helpful words.

1 Cor. 12:7;

Prov. 10:31;

15:28; 25:25

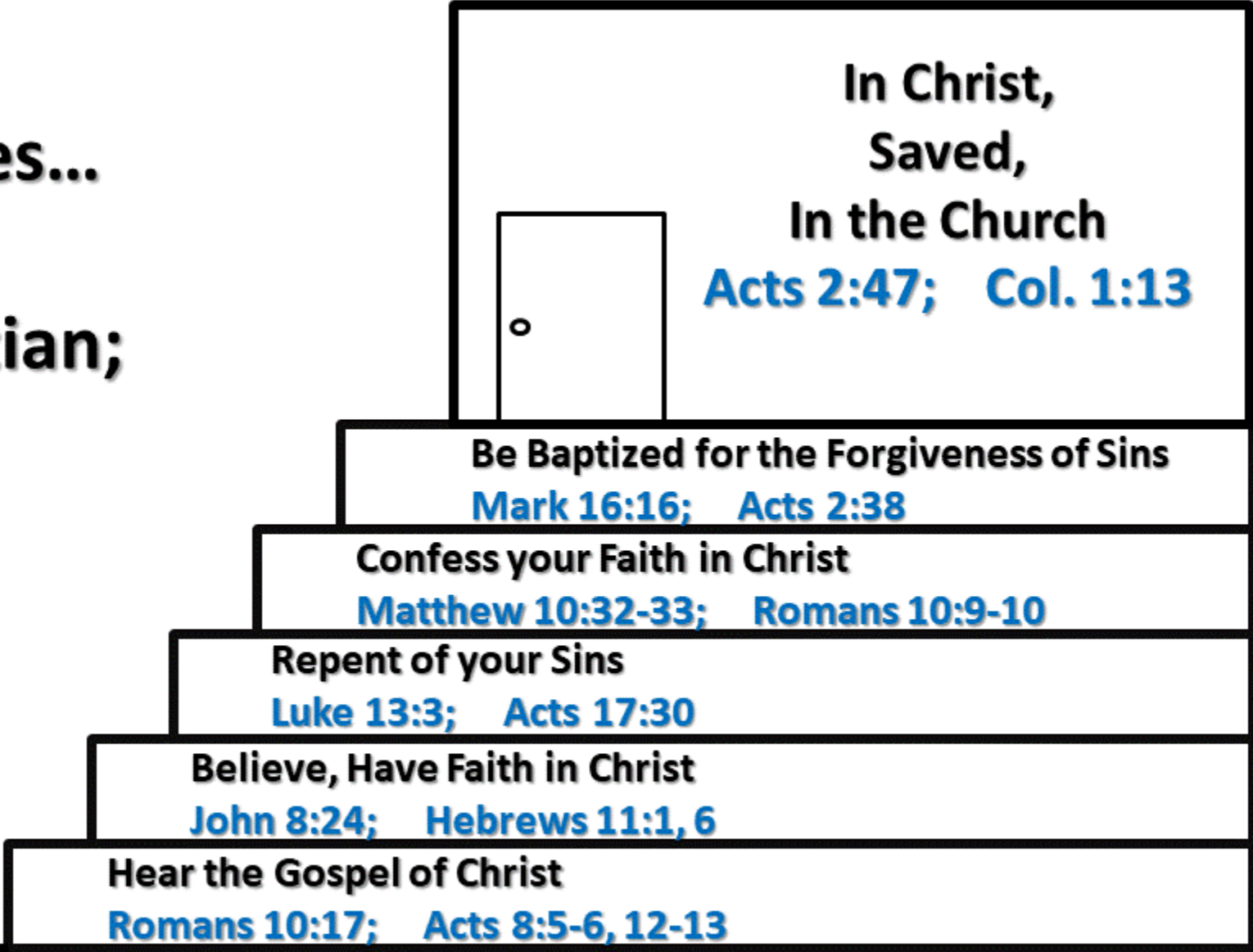




The habit of saying these kind of words can be formed quickly, and when once formed, it will not be quickly lost.



**The Bible Teaches...
That In Order To
Become A Christian;
One Must:**



**In Christ,
Saved,
In the Church**
Acts 2:47; Col. 1:13

Be Baptized for the Forgiveness of Sins
Mark 16:16; Acts 2:38

Confess your Faith in Christ
Matthew 10:32-33; Romans 10:9-10

Repent of your Sins
Luke 13:3; Acts 17:30

Believe, Have Faith in Christ
John 8:24; Hebrews 11:1, 6

Hear the Gospel of Christ
Romans 10:17; Acts 8:5-6, 12-13

Lost! Sinner! Without Hope!
Romans 3:10, 23; Ephesians 2:12

